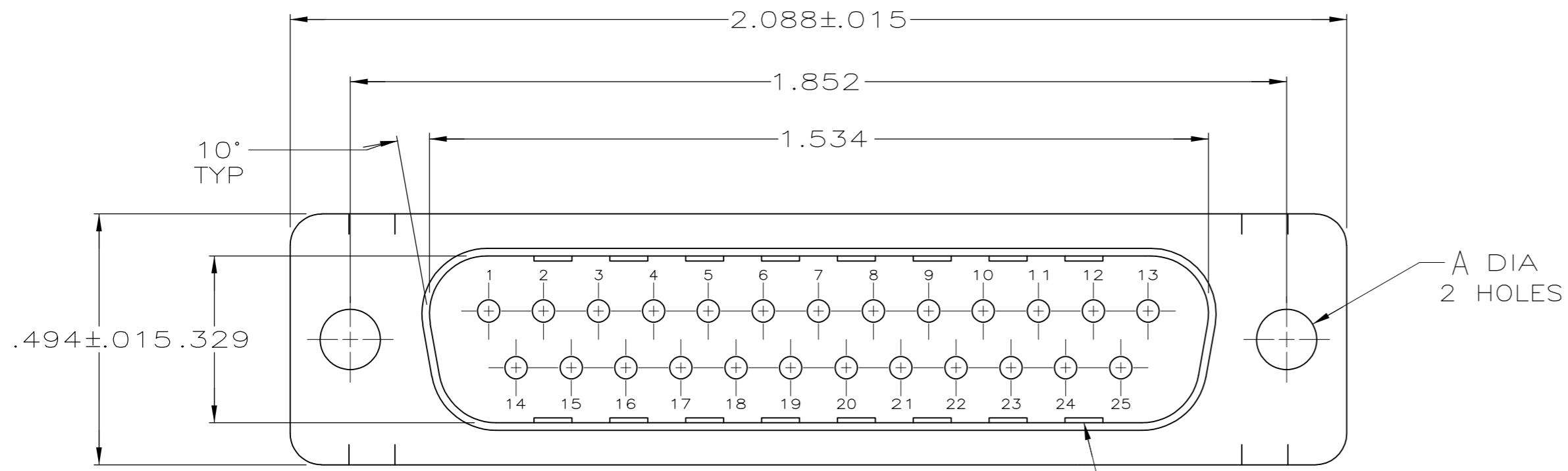


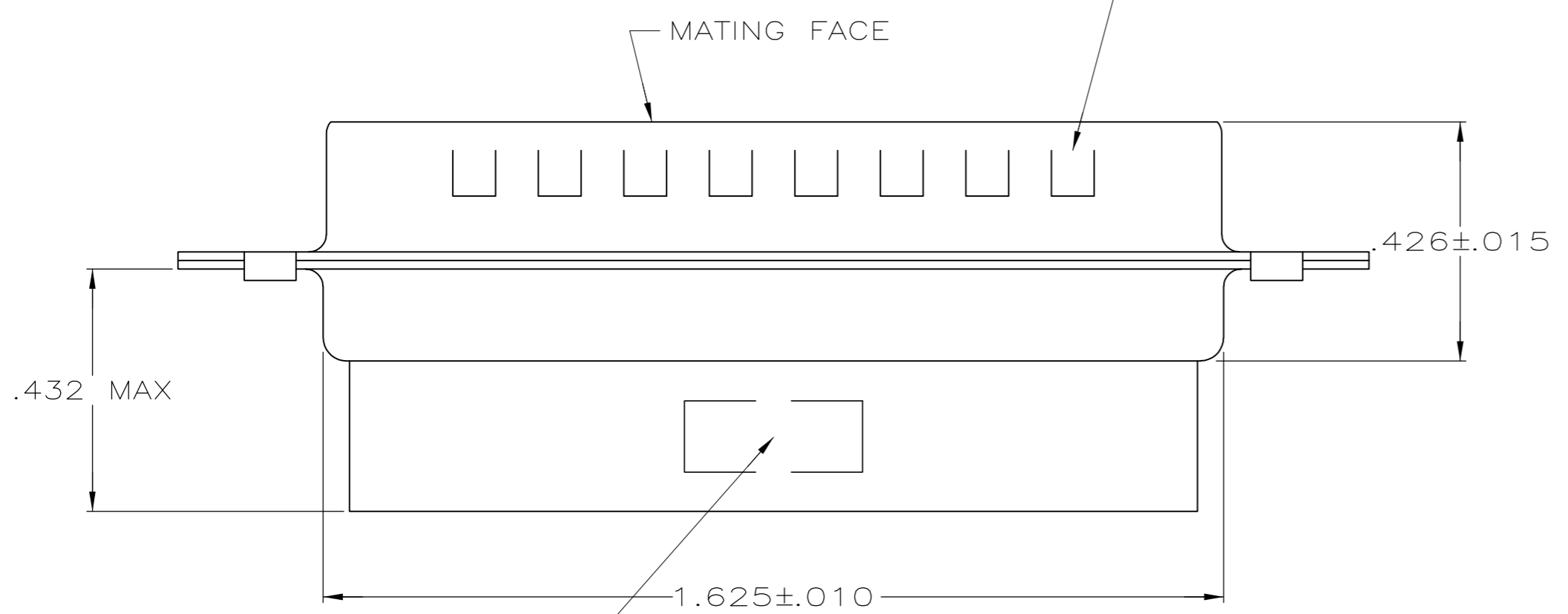
THIS DRAWING IS UNPUBLISHED. RELEASED FOR PUBLICATION  
 © COPYRIGHT BY TYCO ELECTRONICS CORPORATION. ALL RIGHTS RESERVED.

LOC		DIST		REVISIONS			
P	LTR	DESCRIPTION	DATE	DWN	APVD		
GP	00	G1	REVISED PER ECO-07-008164	27JUL07	JDP	CWR	

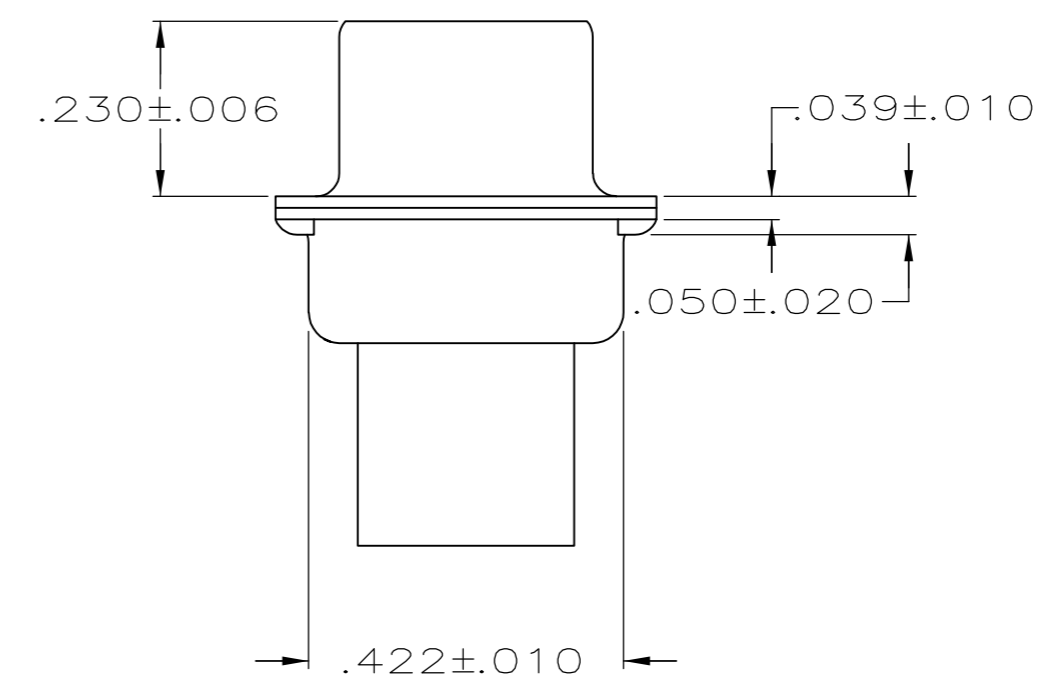


A DIA  
2 HOLES

GROUNDING INDENTS  
SEE TABLE



"AMP", PART NO. & DATE CODE, MARKED  
IN AREA INDICATED, ON FAR SIDE



- CONNECTOR ACCEPTS SIZE 20 DF PIN CONTACTS, RETENTION TINES ARE AN INTEGRAL PART OF INSERT.
- CONNECTOR COMPLIES WITH 108-40005 WHERE APPLICABLE.
- MOLDED PARTS: NYLON, FLAME RETARDANT, 94V-0 RATED, GLASS FILLED, BLACK.
- SHELLS: STEEL PER ASTM A109.
- TIN OR TIN-LEAD PLATED OVER COPPER UNDERPLATE.
- TIN PLATED OVER COPPER UNDERPLATE.

	PACKAGING TYPE	SHELL FINISH	GROUNDING INDENTS	A	PART NUMBER
	STANDARD	6	NO	.120	207464-7
OBSOLETE	SMALL PACK	6	YES	.120	207464-6
OBSOLETE	STANDARD	5	YES	.154	207464-4
OBSOLETE	STANDARD	5	NO	.154	207464-3
	STANDARD	6	YES	.120	207464-2
OBSOLETE	STANDARD	5	NO	.120	207464-1

THIS DRAWING IS A CONTROLLED DOCUMENT.		DWN S.WELDON 7-19-85	Tyco Electronics Corporation Harrisburg, PA 17105-3608	
DIMENSIONS: INCHES		CHK J.GERACE 7-29-85	NAME	
TOLERANCES UNLESS OTHERWISE SPECIFIED: 0 PLC ± - 1 PLC ± - 2 PLC ± - 3 PLC ± .005 4 PLC ± - ANGLES ± -		APVD -	PRODUCT SPEC	
MATERIAL SEE NOTES		FINISH	APPLICATION SPEC	
SHELLS: SEE TABLE		WEIGHT -	SIZE CAGE CODE DRAWING NO RESTRICTED TO	
		CUSTOMER DRAWING	A2 00779 C=207464	
		SCALE 4:1	SHEET 1 of 1 REV G1	

207464